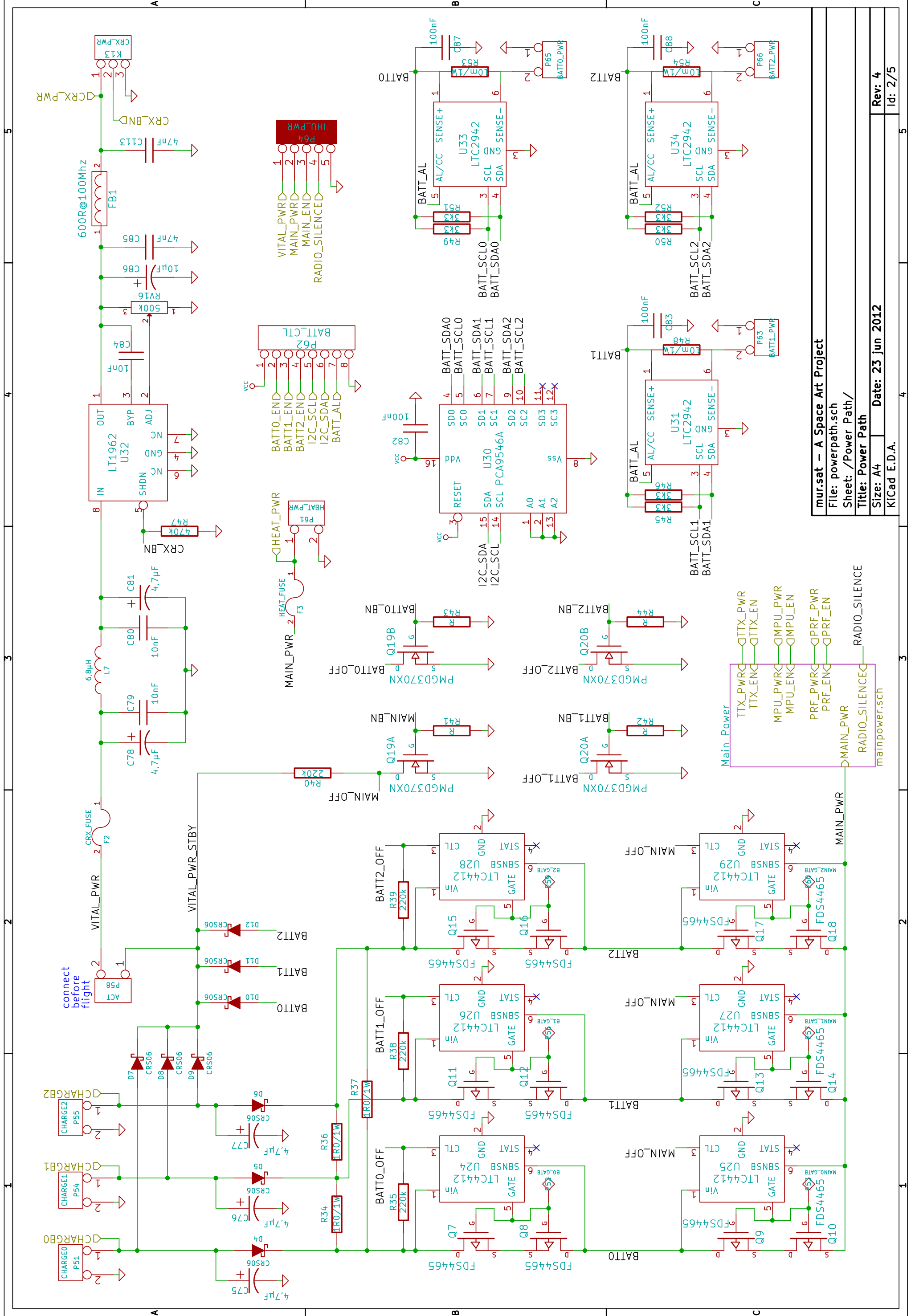


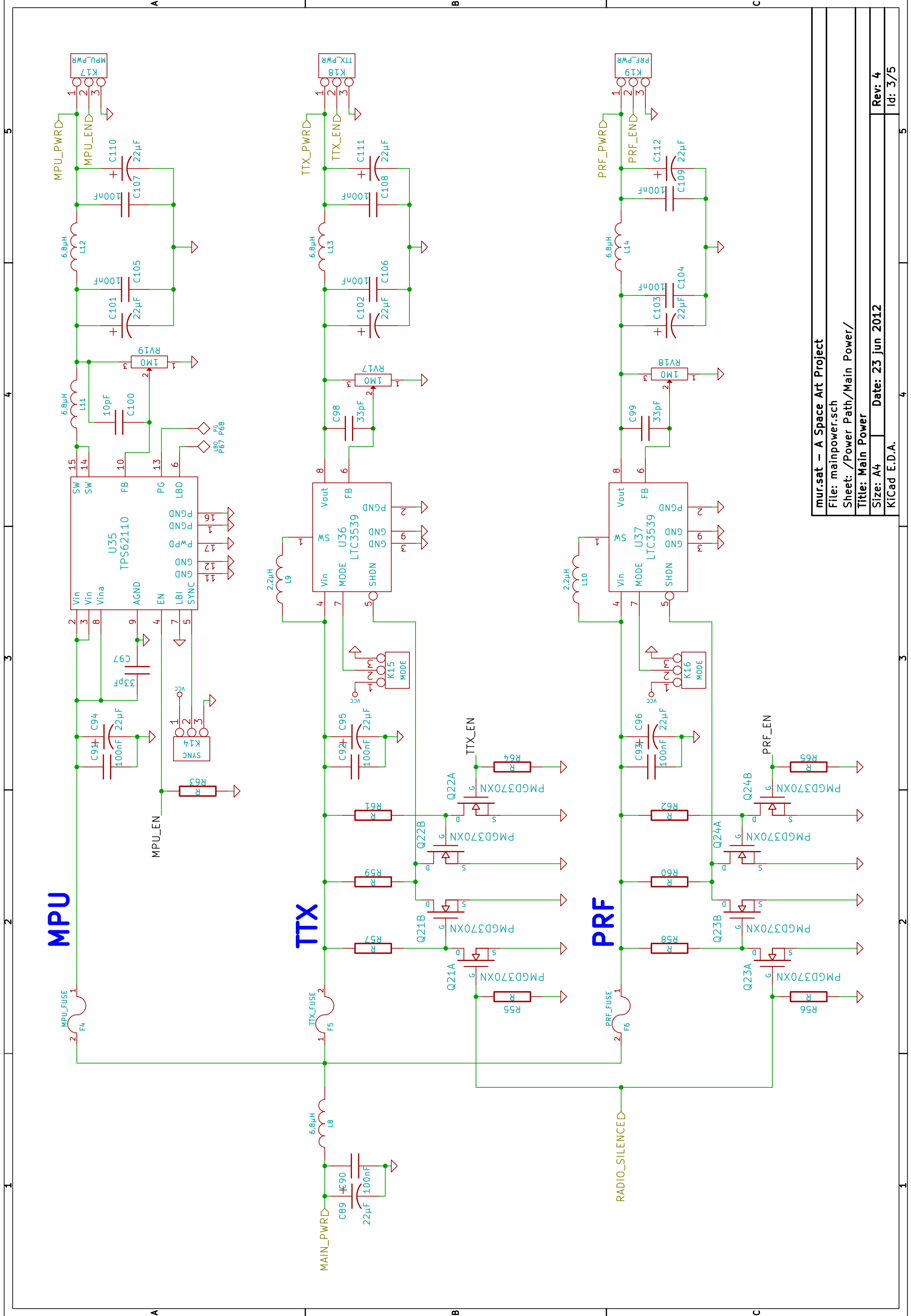
**mur.sat - A Space Art Project**  
 File: satellite-bus.sch  
 Sheet: /  
 Title: IHU, RTC  
 Size: A4  
 Date: 23 Jun 2012  
 Rev: 4  
 Id: 1/5

1 2 3 4 5

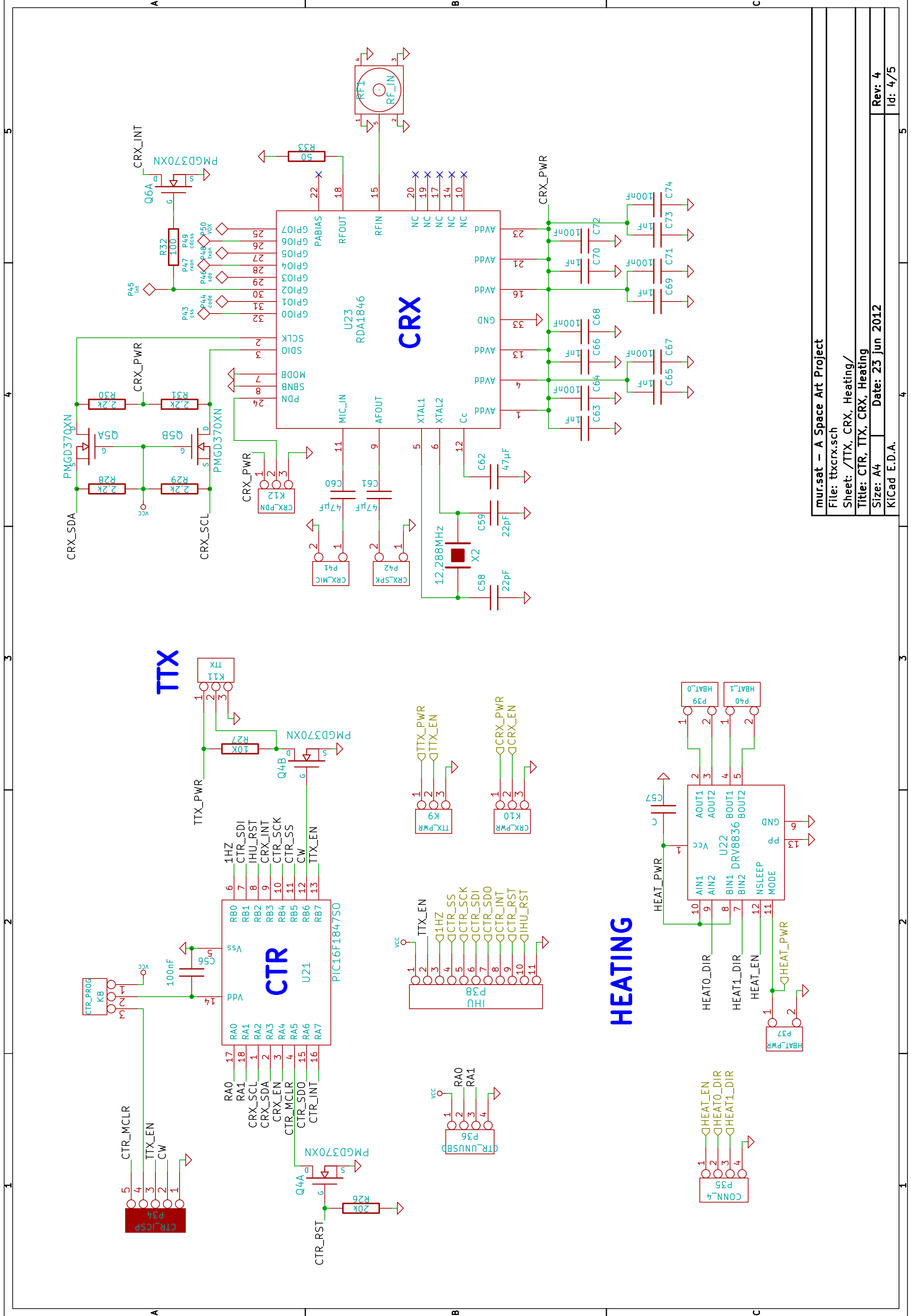
1 2 3 4 5



**mur.sat - A Space Art Project**  
 File: powerpath.sch  
 Sheet: /Power Path/  
 Title: Power Path  
 Size: A4  
 Date: 23 Jun 2012  
 Rev: 4  
 Id: 2/5  
 KiCad E.D.A.



mur.sat - A Space Art Project  
 File: mainpower.sch  
 Sheet: /Power Path/Main Power/  
 Title: Main Power  
 Size: A4 Date: 23 Jun 2012  
 KiCad E.D.A.



mur.sat - A Space Art Project

File: ttxcrx.sch

Sheet: /TTX, CRX, Heating/

Title: CTR, TTX, CRX, Heating

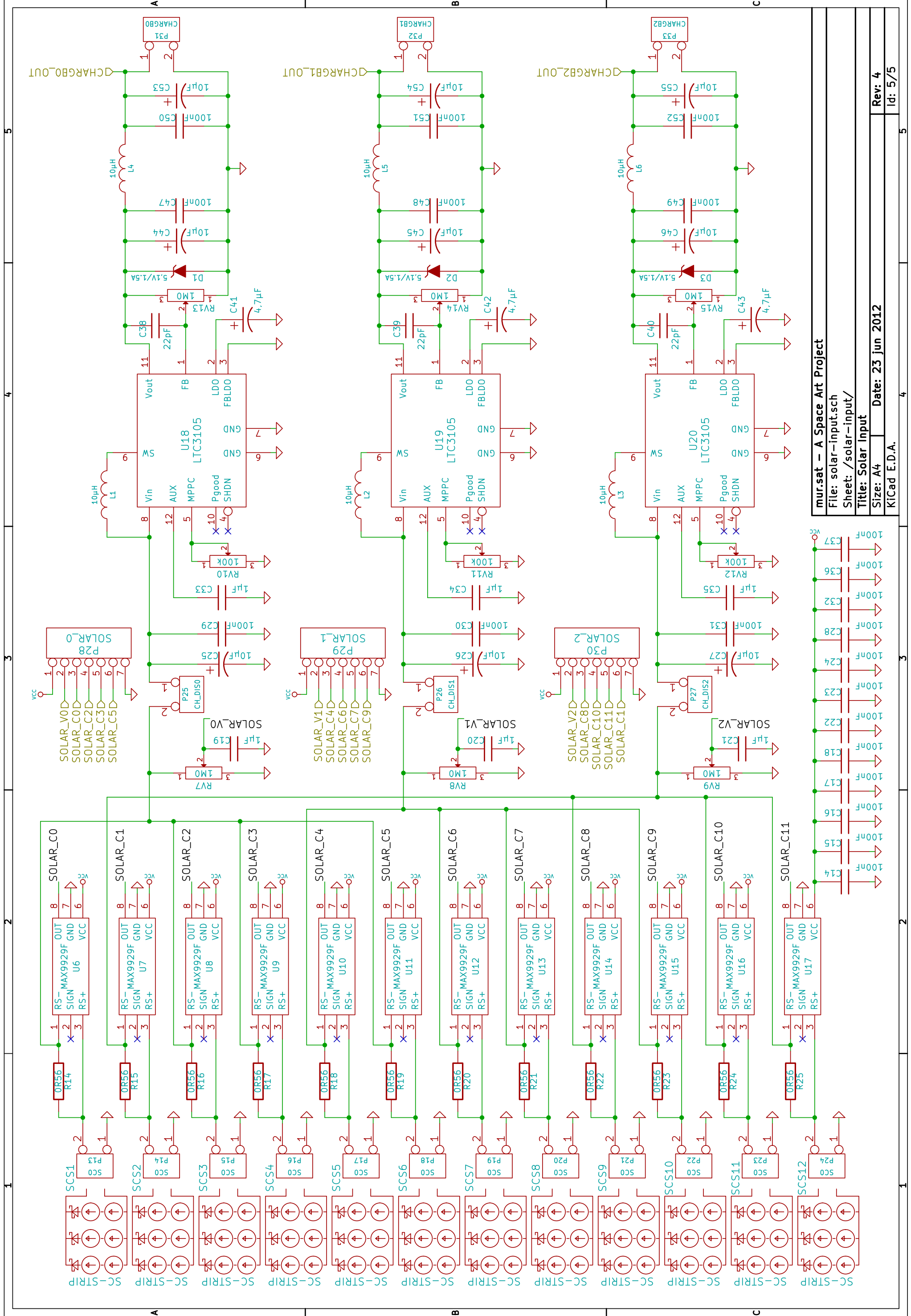
Size: A4

Date: 23 Jun 2012

KiCad E.D.A.

Rev: 4

Id: 4/5



**mur.sat - A Space Art Project**  
 File: solar-input.sch  
 Sheet: /solar-input/  
 Title: Solar Input  
 Size: A4      Date: 23 Jun 2012  
 Rev: 4  
 Id: 5/5  
 KiCad E.D.A.

